

DuraLIFE-33 CLUTCH

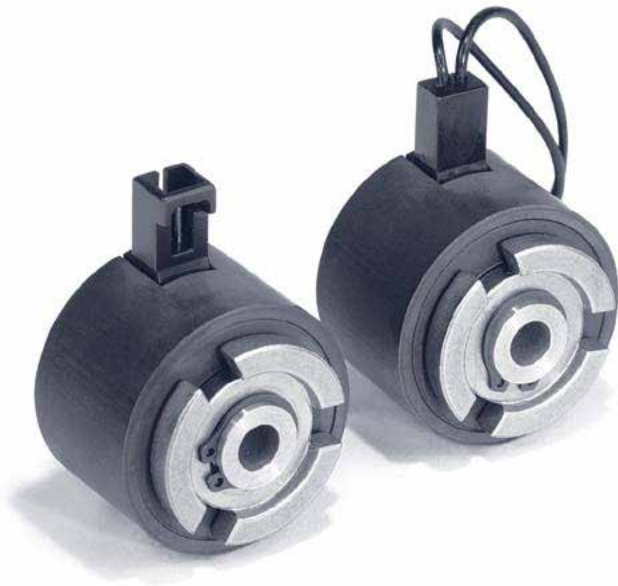


DISTRIBUIDOR
AUTORIZADO

MEX (55) 53 63 23 31
QRO (442) 1 95 72 60

MTY (81) 83 54 10 18
ventas@industrialmagza.com

TECHNICAL BULLETIN



DL-33 offered in two configurations: headed coil or flying leads

Features

- Wrap spring technology
- High torque, small package
- Rapid acceleration
- Consistent performance
- Low wattage required

The DuraLIFE™ model clutch (DL-33) is an electromechanical wrap spring clutch which combines high torque, reliability and rapid acceleration into one small package at a very competitive cost.

Wrap spring technology allows for very fast response to bring loads up to speeds in less than 3 milliseconds (after spring wrap-down and depending on rpm).

The DL-33 is a drop-in alternative for high cost clutches used in office automation applications such as printers and copiers. The long life and reliable performance makes the DL-33 an ideal clutch for many packaging and automotive applications.

Applications

The DL-33 is suitable for high load, tight-fitting applications requiring quick response, rapid acceleration and high torque.

OFFICE AUTOMATION: copiers, printers, paper feed systems, collators, sorters, mailing equipment, ticket and receipt dispensers

PACKAGING: labeller, dispensing machines, conveyors

AUTOMOTIVE: cruise control, power lift gate, trunk cinch actuator systems and trunk power door closer

Application Considerations

Single Direction

Wrap spring clutches provide torque only in the direction in which they wrap down. This allows for overrunning.

Relative High Shock

Due to the DL-33's rapid acceleration, system inertia effects can be significant. In some applications an in-line slip device may be used for shock absorption.

Engagement Relative to Speed

The DL-33 relies on relative motion between the input and output for engagement. Thus the slower the speed, the longer the time until engagement.

General Specifications

Operating Parameters:

| | |
|---------------|--------------------------------|
| Speed | 1200 rpm max |
| Cycle Life | 1 × 10 ⁶ @ 30 lb-in |
| Static Torque | 30 lb-in (3.4 Nm) |
| Power | 3.5 watts nominal |
| Temperature | 32°-140°F (0 -60°C) |

Options:

| | |
|---------------------|---|
| Input Configuration | Hub input or shaft input |
| Rotation Direction | Clockwise or Counterclockwise |
| Coil Voltage* | 12 VDC Resistance [Ω] 45.0±10% 24 VDC Resistance [Ω] 185.0±10% 90 VDC Resistance [Ω] 2670.0±10% |
| Bore | 6mm; 8mm; 1/4 inch or 5/16 inch |
| Shaft | Cross pin or "D" Bore |
| Elec. Connections | Molded connector or 12" flying leads |
| Accessories | 3-dog drive adapter, flexible coupling |

*Custom voltages available

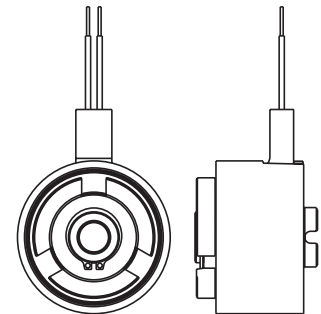
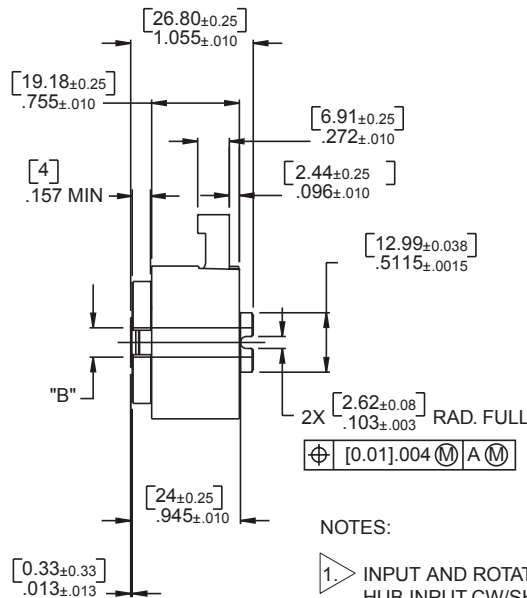
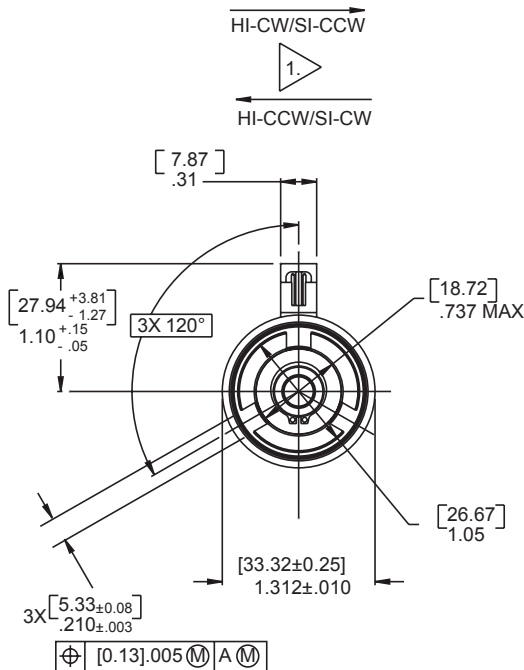
Dimensions



DISTRIBUIDOR
AUTORIZADO

MEX (55) 53 63 23 31
QRO (442) 1 95 72 60

MTY (81) 83 54 10 18
ventas@industrialmagza.com



FLYING LEADS
24 AWG
12" LENGTH

NOTES:

1. INPUT AND ROTATION (VIEWED THIS END):
HUB INPUT-CW/SHAFT INPUT-CCW OR
HUB INPUT-CCW/SHAFT INPUT-CW

RECOMMENDED MATING CONNECTORS:
TERMINAL - POLARIZED LATCHING
CRIMP ON CONTACTS

HOUSING: AMP NO 104257-1

CONTACTS:

LOOSE: AMP NO 1-530151-0

STRIP: AMP NO 530151-9

ALTERNATE TERMINAL-

INSUL. DISPLACEMENT CONTACTS

ASSEMBLY - AMP NO 103956-1

ASSEMBLY - MOLEX NO 70400-0141

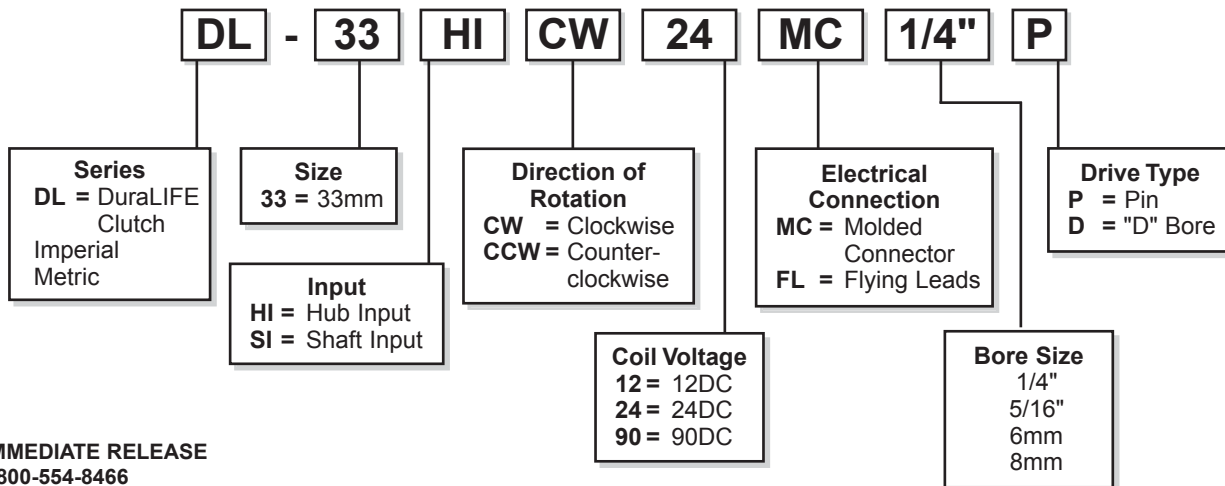
in [mm]

SPECIFICATIONS SUBJECT TO CHANGE

| Bore Sizes | "B" |
|------------|---------------------------|
| 8mm | (8.01-8.09) .315-.318 |
| 6mm | (6.01-6.09) .237-.239 |
| 5/16 inch | (7.950-8.090) .3130-.3185 |
| 1/4 inch | (6.362-6.427) .2505-.2530 |

"D" Bores also available

DL Series - How to order



FOR IMMEDIATE RELEASE
Call 1-800-554-8466
Website: www.DeltranPT.com

Deltran PT

* Trademark of Thomson Industries, Inc. [HKM] [5K] GH 8-5-03 200308-DL-33.qxd DEL-03-01-G105 The specifications in this publication are believed to be accurate and reliable. However, it is the responsibility of the product user to determine the suitability of Deltran PT products for a specific application. While defective products will be replaced without charge if promptly returned, no liability is assumed beyond such replacement. ©2003 Thomson Industries, Inc.