

NEW



DISTRIBUIDOR MEX (55) 53 63 23 31 MTY (81) 83 54 10 18
AUTORIZADO QRO (442) 1 95 72 60 ventas@industrialmagza.com

INFRANOR MAVILOR

BLS-220-221

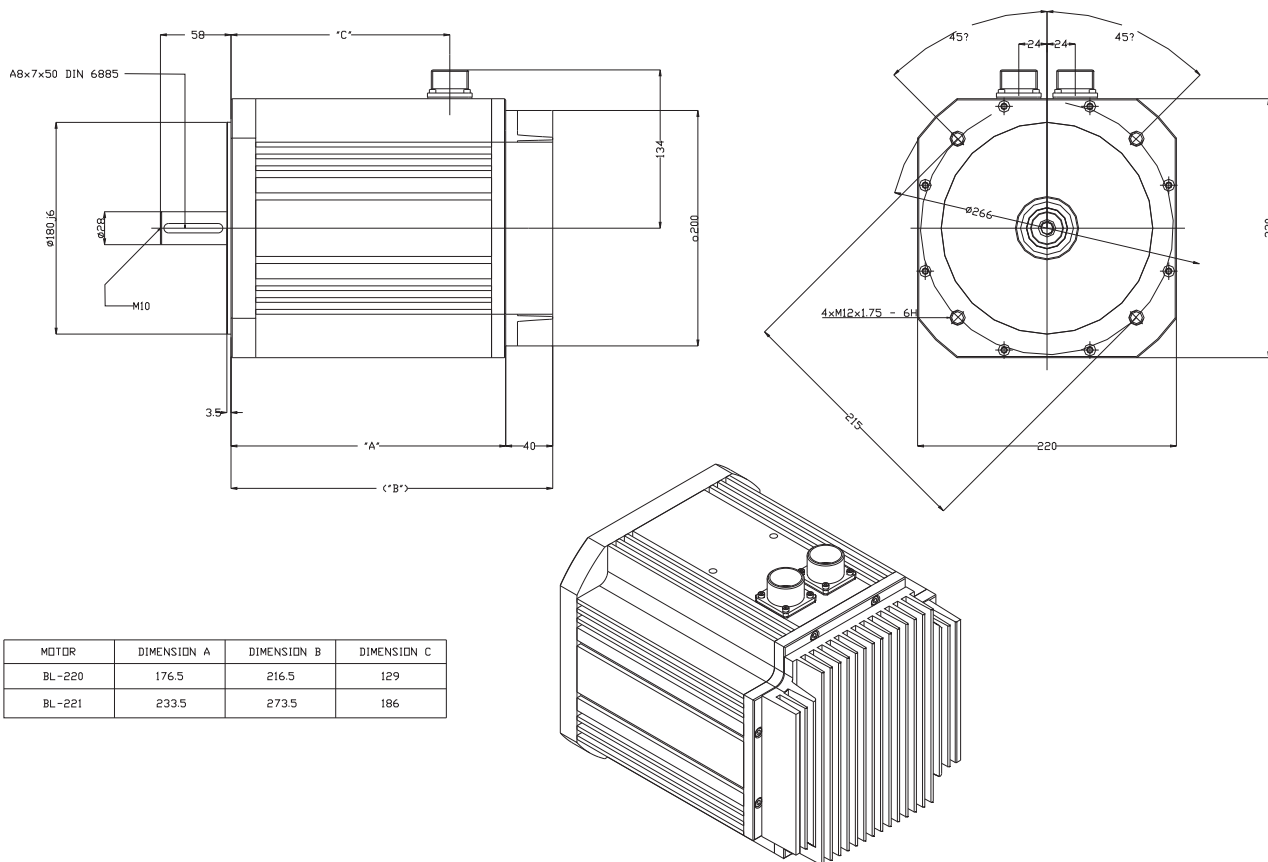
FEATURES

- Compact size
- High Torque
- Low Inertia
- High speed
- Customized versions
- CE certified, UL listed

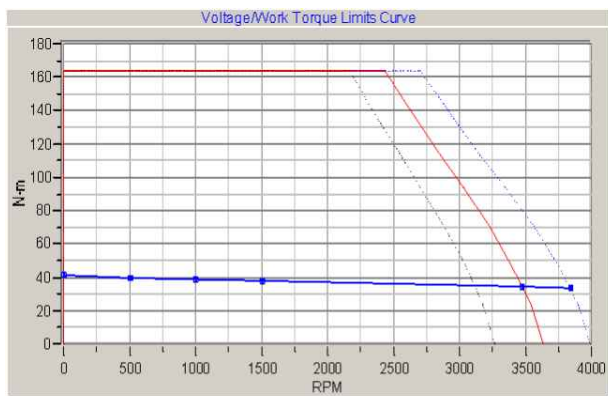
TECHNICAL DATA

CHARACTERISTICS	SYMBOL	UNITS	BLS-220	BLS-221
MAX SPEED	n	r.p.m	3500	2500
STALL TORQUE (+/-10%)	Ms	Nm	41	80
STALL CURRENT (+/-10%)	Is	A	23,67	34,21
PEAK TORQUE (+/-10%)	Mj	Nm	164	320
TORQUE-WEIGHT RATIO	Tw	Nm/kg	1,67	2,32
EMF CONSTANT (+/-5%)	Ke	Vs/rad	1	1,35
TORQUE CONSTANT (+/-5%)	Kt	Nm/A	1,73	2,34
RELUCTANCE TORQUE	Ct	Nm	<1.5%	<1.5%
WINDING RESISTANCE (+/-5%)	R	Ω	0,32	0,21
WINDING INDUCTANCE (+/-5%)	L	mH	1,90	1,7
ROTOR INERTIA	J	kgm ² 10 ⁻³	9,54	18,1
MECHANICAL TIME CONSTANT	Tm	ms	1,76	1,2
ELECTRICAL TIME CONSTANT	Te	ms	5,938	8,095
MASS	M	kg	33	34,5
INSULATION			F	F
PROTECTION			IP - 65	IP-65

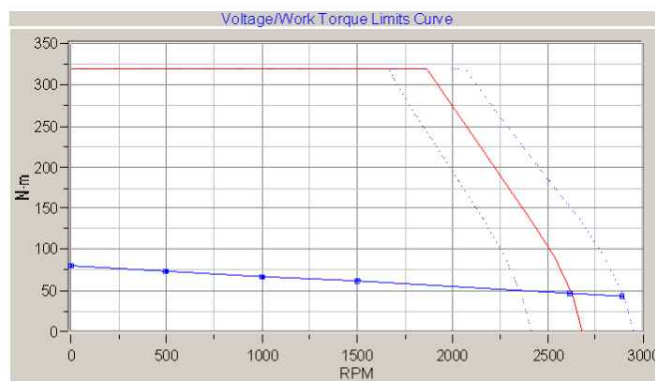
MECHANICAL DIMENSIONS



TORQUE CURVES



BL-220



BL-221