

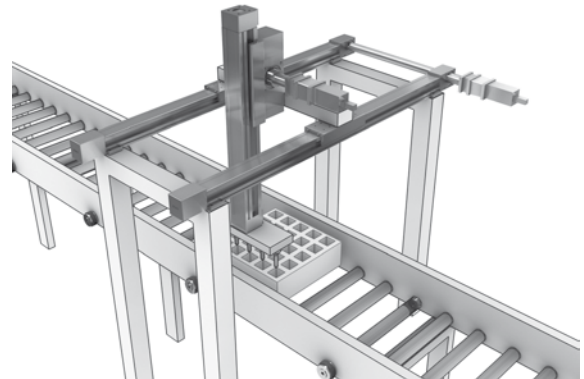
# Thomson WH SpeedLine Linear Units

## Now manufactured in North America!

Thomson WH series of linear units are belt-driven, wheel-guided linear units that provide high speed and stiffness and are **now manufactured in North America** for shorter lead times and fast shipping.

These units are ideal for applications where throughput, multiple orientations, or multi-axis configurations are critical including:

- Packaging
- Filling and Dispensing
- Material Handling
- General Factory Automation

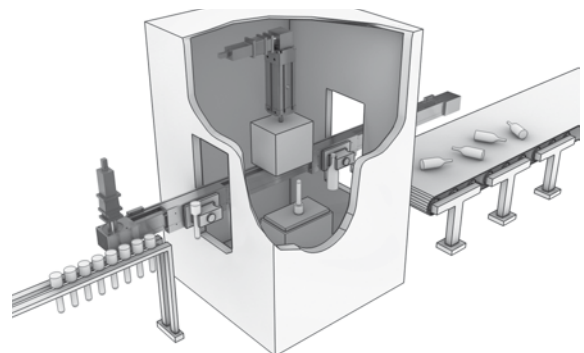


WH units can be in various orientations and multi-axis configurations.

### Sizing and Selection

Easily size and select the optimal linear unit for your specific application needs. Visit:

[www.linearmotioneering.com](http://www.linearmotioneering.com)



WH units ensure high throughput and productivity with linear speeds up to 10 m/s.

For immediate assistance -  
 Email: [thomson@thomsonlinear.com](mailto:thomson@thomsonlinear.com)  
 Phone: +1-540-633-3549

# Linear Units with Belt Drive and Wheel Guide

## SpeedLine WH



WH80

### Features

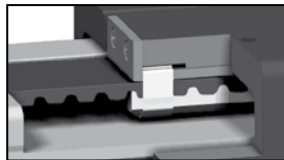
- Can be installed in all directions
- Speed up to 10 m/s
- Acceleration up to 40 m/s<sup>2</sup>
- Stroke up to 11 m

Parameter		WH50	WH80	WH120
Profile size (width × height)	[mm]	50 × 50	80 × 80	120 × 110
Stroke length (S max), maximum	[mm]	3000	11000	11000
Linear speed, maximum	[m/s]	6,5	10,0	10,0
Dynamic carriage load (Fz), maximum	[N]	730	2100	9300
Remarks		external wheel guides no cover band	external wheel guides no cover band	external wheel guides no cover band
Page		92	94	96

## WH-Series Technical Presentation

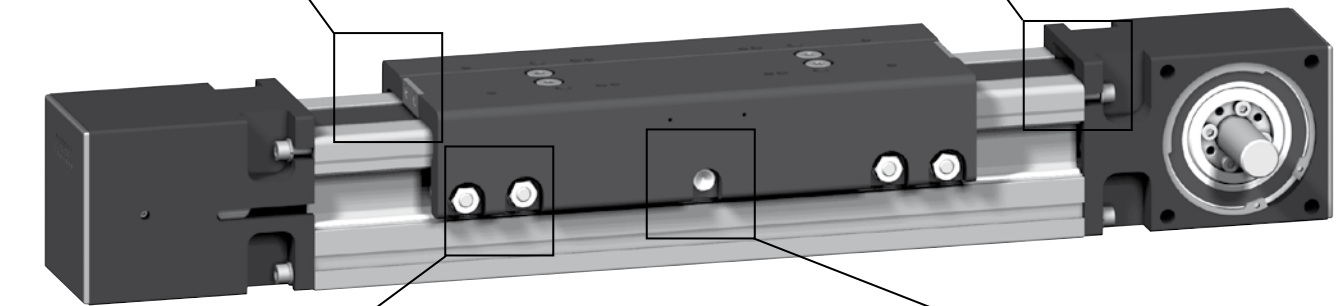
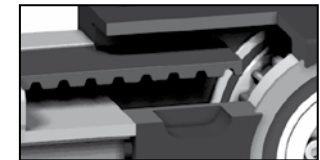
### Belt tensioning

The belt can easily be replaced or re-tensioned from the outside of the unit without the load being removed from the carriage.



### Belt drive

The steel reinforced belt is wear resistant, highly efficient and very accurate even at high speeds and loads.



### Wheel guides

The H-type arrangement of the guides allows fast moves and high forces and moments.



### Central lubrication

The guides are lubricated from a central point that are easy and fast to access.