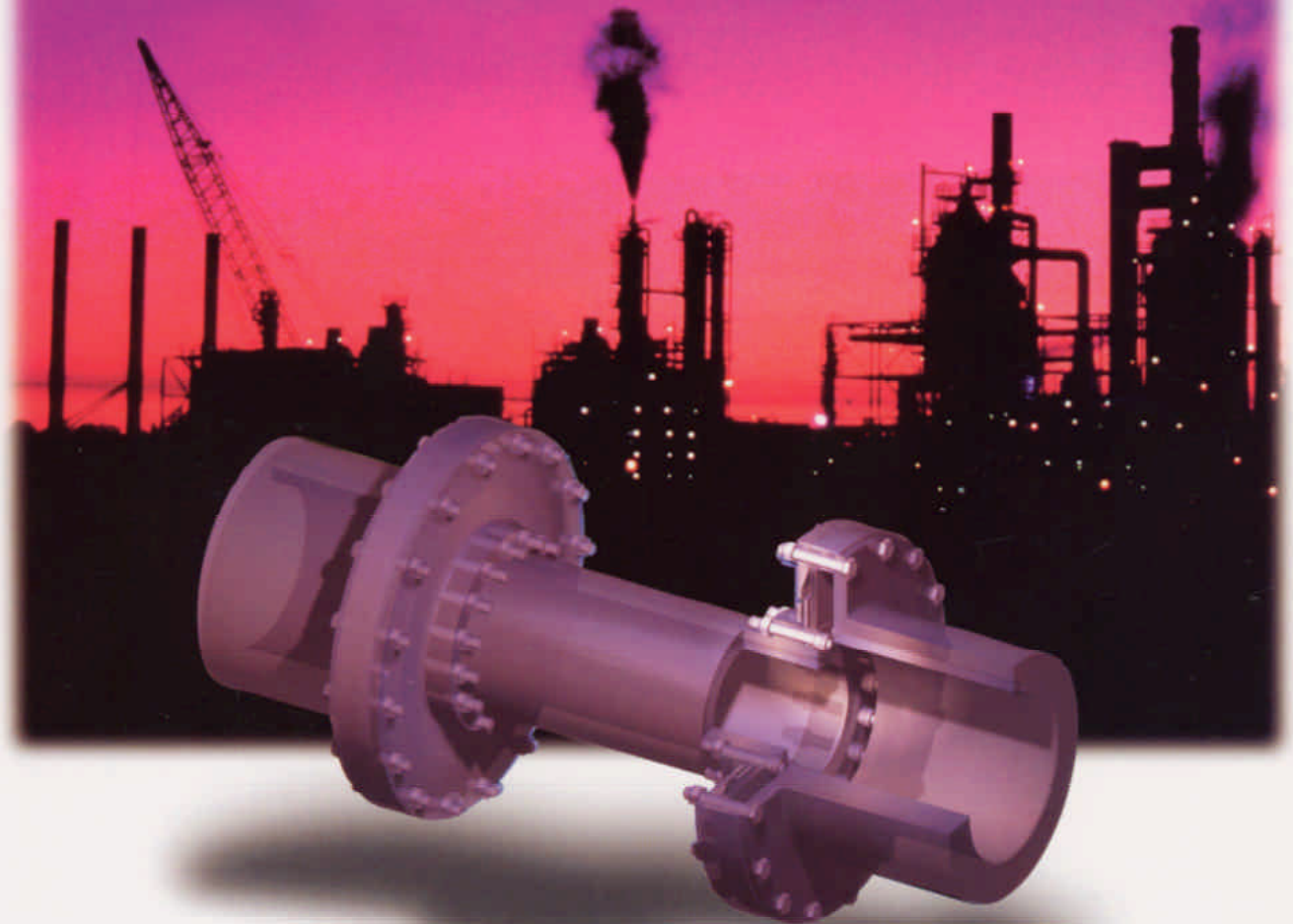


# Ameriflex<sup>®</sup> Diaphragm Couplings



Series NC  
For High Performance Applications

**Ameridrives**<sup>®</sup> Couplings

 Boston

# Ameriflex®

## Diaphragm Couplings NC Series

Ameridrives International's reputation has been built on specialized designs for demanding applications. We are now pleased to offer the industry another diaphragm coupling for a wider range of applications.

Designed specifically for the rigorous demands of the turbomachinery industry, the Ameriflex multiple convoluted diaphragm coupling was introduced in 1971. Since then, continuous refinements have made Ameriflex the industry leader in reliability and design flexibility. The new NC Series Ameriflex was developed as a natural extension of our proven designs, using the latest engineering technologies.

Fewer parts combined with modern manufacturing techniques, result in a cost-effective coupling while maintaining the same quality and performance standards proven by over 25 years experience with thousands of Ameriflex operating trouble-free.

- Simplified, economical design (Figure 1)
- Meets API-671 requirements
- Diaphragms designed for infinite life using FEA verified by strain gage and dynamic testing (Figure 2)
- 15-5 PH integral filler diaphragms maintain flex area separation
- 1/4 degree misalignment
- Low axial and bending stiffness
- Piloted construction for low repeatable unbalance
- Maintenance free for years of dependable service

Figure 1

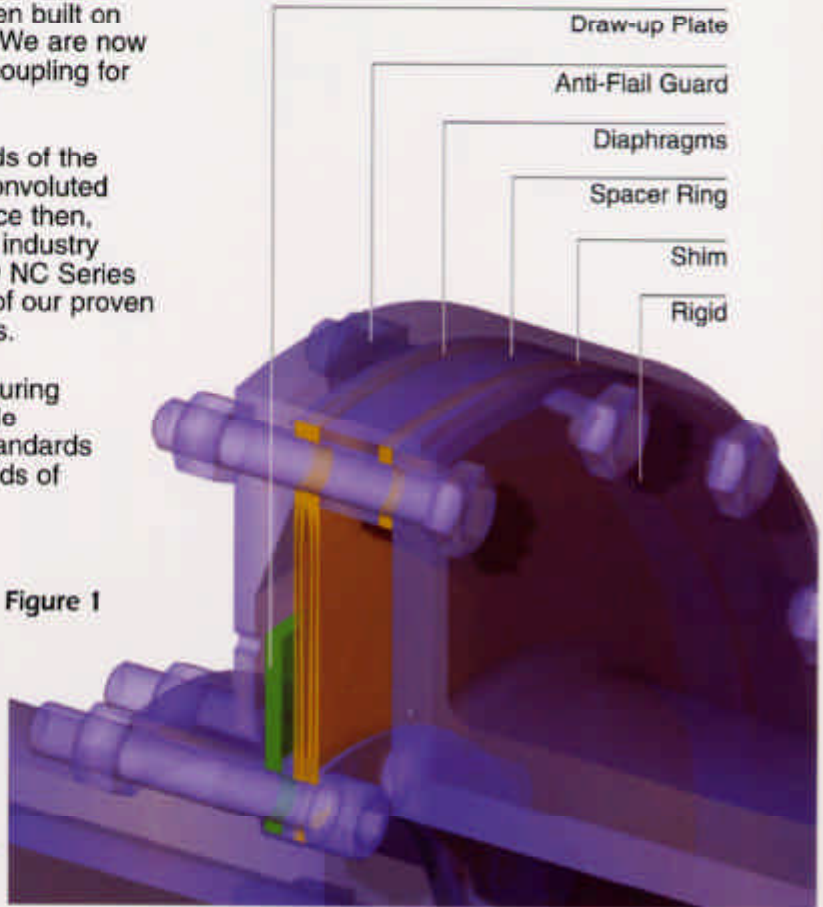


Figure 2

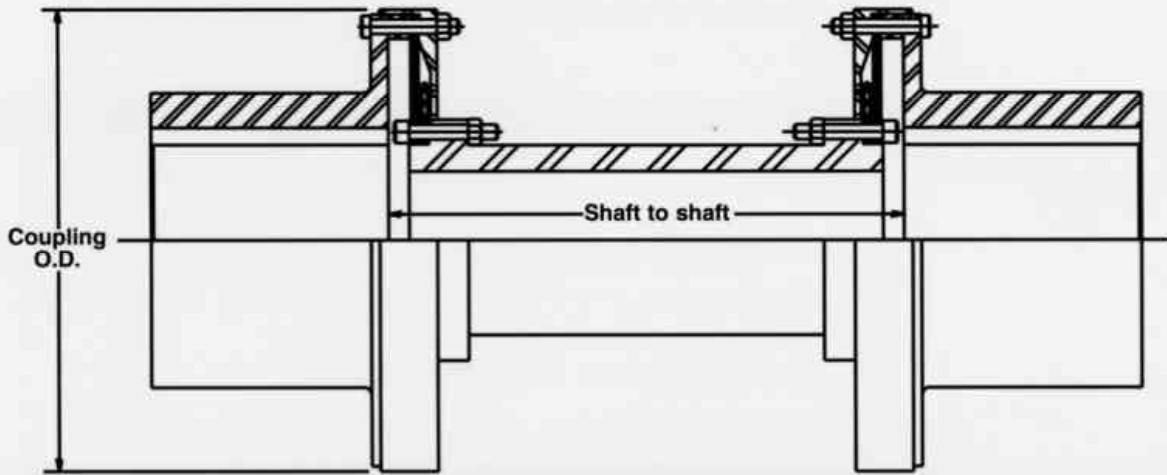


Ameridrives International  
 Coupling Products



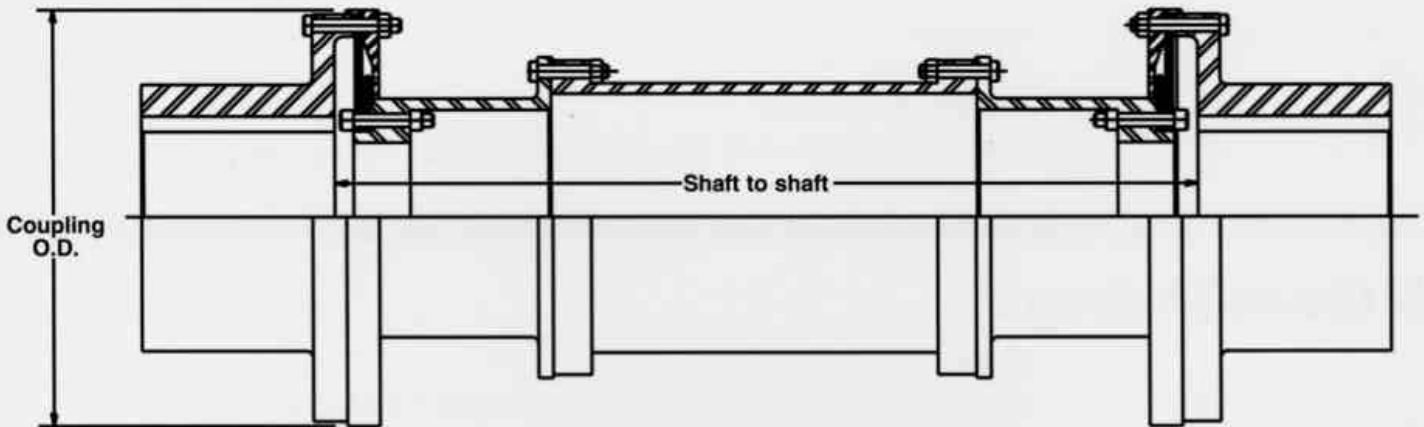
Member: API  
 AGMA  
 PTRR  
 PTDA

**Caution:** Rotating equipment is potentially dangerous and could cause injury or damage if not properly protected. Follow applicable codes and regulations.



**Coupling Data - NC Series**

Coupling Size	Max. Cont. Torque (in. - lb.)	Peak Torque (in.- lb.)	Rated Speed (RPM)	Max. Axial Travel (in.)	Coupling O.D. (in.)	Shaft to Shaft Min. (in.)	Bore Diam. Max. (in.)
7	53,000	80,000	10,000	.050	7.12	5.06	4.00
9	120,000	180,000	10,000	.090	9.81	5.75	5.50
11	210,000	315,000	10,000	.120	11.75	5.94	6.50
13	333,000	500,000	8,000	.140	13.56	7.63	7.75
15	500,000	750,000	8,000	.160	15.56	7.81	9.00



**Coupling Data - NCS Series**

Coupling Size	Max. Cont. Torque (in. - lb.)	Peak Torque (in.- lb.)	Rated Speed (RPM)	Max. Axial Travel (in.)	Coupling O.D. (in.)	Shaft to Shaft Min. (in.)	Bore Diam. Max. (in.)
7	53,000	80,000	10,000	.050	7.12	12.88	4.00
9	120,000	180,000	10,000	.090	9.81	13.75	5.50
11	210,000	315,000	10,000	.120	11.75	14.63	6.50
13	333,000	500,000	8,000	.140	13.56	15.50	7.75
15	500,000	750,000	8,000	.160	15.56	16.38	9.00

\*Note: All torque ratings at .25° misalignment and maximum axial travel. Ameridrives International recommends a 1.0 service factor for constant torque applications, 1.5 for motor driven applications, and 2.0 for moderate torque fluctuations. API-671 recommends a 1.5 service factor for flexible element couplings.

## Ameridrives® Couplings

PO Box 4000  
Erie PA USA 16512 4000  
Tel 814 480 5000  
Fax 814 453 5891  
www.ameridrives.com

Ameriflex® Diaphragm Couplings  
Amerigear® Gear Couplings  
Amerigear® Mill Spindles  
Americardan® Universal Joints

## Bay City Forge

PO Box 4000  
Erie PA USA 16512 4000  
Tel 814 456 2088  
Fax 814 456 4395  
www.baycityforge.com

Single and Multiple Crankshafts  
Straight, Eccentric and Hollow Bore Shafts  
Round, Square and Hex Bar Stock  
Rolls, Spindles, Upsets, Rings and Disks

## Industrial Clutch

PO Box 118  
Waukesha WI USA 53187 0118  
Tel 414 547 3357  
Fax 414 547 2949  
www.indclutch.com

Model LKB Low Inertia Clutches & Brakes  
Model CBA/CBH Combination Clutch/Brake  
Model HC, HBA, HBS Oil Cooled Clutches & Brakes

## Marland Clutch

PO Box 308  
La Grange IL USA 60525 0308  
Tel 708 352 3330  
Fax 708 352 1403  
www.marland.com

Marland Backstops  
CECON® Clutches  
CEBMAG® Clutches  
Marland RINGSPANN® Freewheel Clutches

## Nuttall Gear/Delroyd®

PO Box 1032  
Niagara Falls NY USA 14302 1032  
Tel 716 731 5180  
Fax 716 731 9329  
www.nuttallgear.com

Delroyd® Worm Gear Products  
Type TDS Parallel & Right Angle Shaft Speed Reducers  
Moduline® Concentric Shaft Speed Reducers & Gearmotors  
Type SU & Type SD High Speed Gear Drives  
Type RV Right Angle Vertical Speed Reducers  
Veri-Dri Vertical Concentric and Parallel Shaft Drives  
Metals Industry Gear Drives  
Custom Engineered Drives

Contact your nearest representative.

