

PRODUCT INFORMATION



MEX (55) 53 63 23 31 MTY (81) 83 54 10 18
QRO (442) 1 95 72 60 ventas@industrialmagza.com



INSPIRED BY
EFFICIENCY



INTERROLL 24VDC PRODUCTS

ROLLERDRIVES & DRIVECONTROL CARD

INTERROLL EC100 24VDC ROLLERDRIVE

INDUSTRIAL MAGZA MEX (55) 53 63 23 31 MTY (81) 83 54 10 18
 DIST. AUTORIZADO QRO (442) 1 95 72 60 ventas@industrialmagza.com



Product Features

- Wide speed range
- Multiple drive options
- Optional PVC or Polyurethane sleeving
- Safe low voltage

Product benefits

- Total cost of ownership
- Low energy consumption
- Installation time
- Maintenance free
- Return on investment

Technical Data

General technical data, RollerDrive EC100

Diameter	1.9"
Nominal voltage	22-28 VDC
No load current	0.6 A
Max. continuous current	1.8 A
Max. start current	4.1 A
Mechanical performance	18 W
Drive efficiency	46%
Noise level	55 dB(A)
Minimum roller length	8.85"-12.64" (depending on application)

EC100 Roller Drive Performance

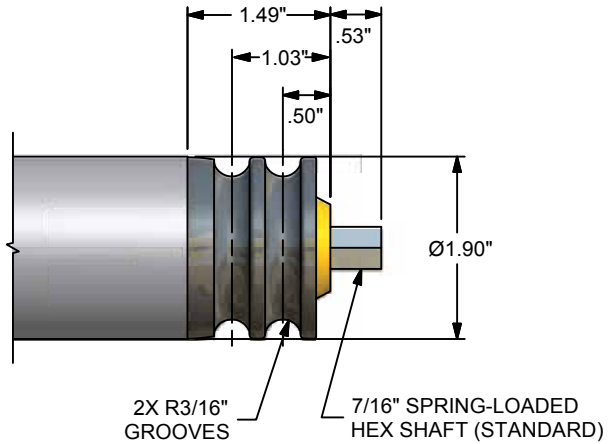
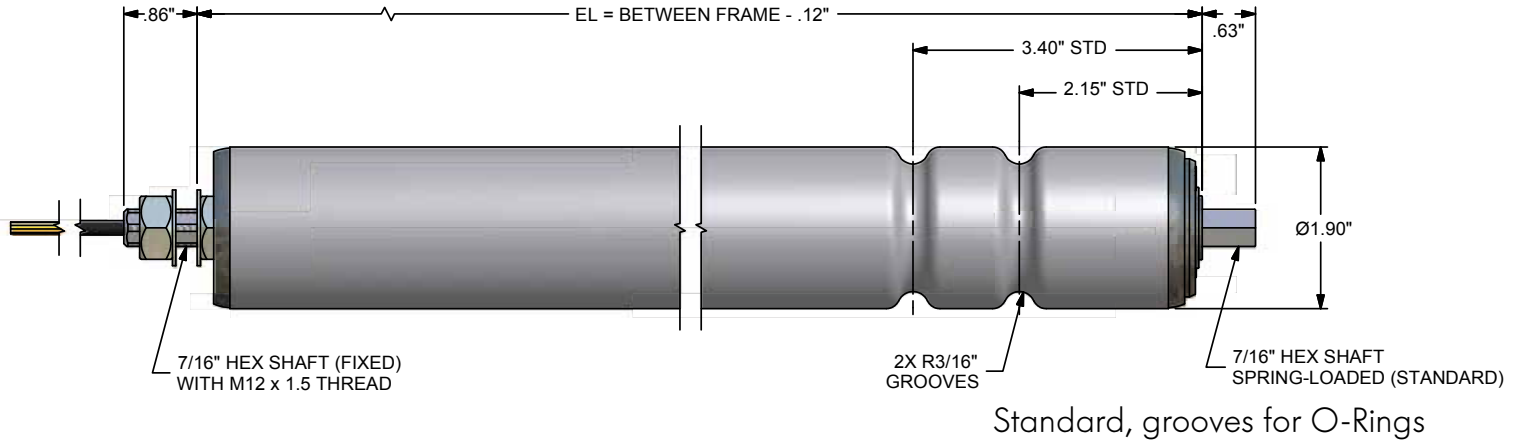
Gear Ratio	Speed Range Ft/min	Nominal Torque Inch-lb	Peak Torque Inch-lb
12:1	87-260	3.3	12.4
16:1	67-202	4.2	15.9
24:1	45-135	6.6	24.8
36:1	29-88	10.4	33.6
48:1	22-68	11.0	44.3
64:1	17-50	16.1	54
96:1	11-34	26.6	100

The Interroll RollerDrive EC100 is an economical, high-performance brushless 24VDC internally motorized drive roller.

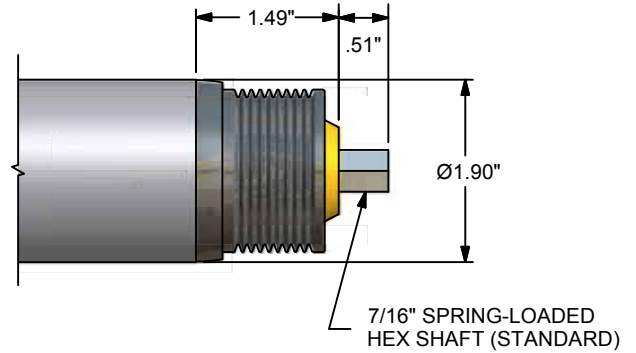


Dimensions

INDUSTRIAL MAGZA MEX (55) 53 63 23 31 MTY (81) 83 54 10 18
 DIST. AUTORIZADO QRO (442) 1 95 72 60 ventas@industrialmagza.com



Poly-O bearing housing



Poly-Vee bearing housing

How to order

Please create a reference number with the following configurator.



MOTOR TYPE
 C = 24V EC100
 H = 24V EC100 W/ Brake
 L = 24V EC100 Short RL

FIXED SHAFT
 1 = ZP THREADED SHAFT
 2 = S/S THREADED SHAFT
 5 = S/S NON-THREADED SHAFT
 6 = S/S NON-THREADED SHAFT
 7 = ZP THREADED SHAFT, 50mm CARTRIDGE
 8 = S/S THREADED SHAFT, 50mm CARTRIDGE
 9 = S/S NON-THREADED SHAFT, 50mm CARTRIDGE
 A = ZP THREADED H-SHAFT, 50mm CARTRIDGE
 B = ZP THREADED H-SHAFT
 C = S/S NON-THREADED SHAFT, SPECIAL LENGTH SHAFT & HIGH TEMP COUPLING
 D = C/S NON-THREADED SHAFT, DUAL BEARING
 E = ZP THREADED SHAFT, SPECIAL FOR USS
 F = ZP THREADED SHAFT, SPECIAL FOR USS
 H = S/S NON-THREADED SHAFT, HIGH TEMP

GEAR BOX/SPEED RANGE
 1 = 12:1 RATIO, 87 - 260 fpm
 2 = 16:1 RATIO, 67 - 202 fpm
 3 = 24:1 RATIO, 45 - 135 fpm
 4 = 36:1 RATIO, 29 - 88 fpm
 5 = 48:1 RATIO, 22 - 68 fpm
 6 = 64:1 RATIO, 16 - 50 fpm
 7 = 96:1 RATIO, 11 - 34 fpm

AVAILABLE STANDARD TUBE GROUPS
TUBE TYPE
 STRAIGHT
 2 STANDARD GROOVES
 VARIABLE GROOVES
 PVC SLEEVING (STRAIGHT)
 PVC SLEEVING (2 STD GROOVES)
 PVC SLEEVING (VARIABLE GROOVES)
 POLYURETHANE SLEEVING (STRAIGHT)
 POLYURETHANE SLEEVING (2 STD GROOVES)
 POLYURETHANE SLEEVING (VARIABLE GROOVES)

C/S R207	S/S R301
R01	R04
P28	P35
R06	R61
E62	R15
P32	P37
P31	-
P44	E65
G74	F36
G75	-

IDLER SHAFT
 1 = C/S 7/16" HEX SPRING-LOADED
 2 = S/S 7/16" HEX SPRING-LOADED
 7 = C/S FEMALE 5/16"-18 FLOATING
 8 = S/S FEMALE 5/16"-18 FLOATING
 9 = C/S FEMALE M8 FLOATING
 A = C/S 7/16" HEX SPRING-LOADED POLY-VEE BEARING HOUSING
 B = S/S 7/16" HEX SPRING-LOADED POLY-VEE BEARING HOUSING
 C = C/S FEMALE M8 FLOATING POLY-VEE BEARING HOUSING
 D = S/S FEMALE M8 FLOATING POLY-VEE BEARING HOUSING
 E = C/S 7/16" HEX SPRING-LOADED POLY-O BEARING HOUSING
 F = S/S 7/16" HEX SPRING-LOADED POLY-O BEARING HOUSING
 G = C/S FEMALE M8 FLOATING POLY-O BEARING HOUSING
 H = S/S FEMALE M8 FLOATING POLY-O BEARING HOUSING
 I = C/S FEMALE 5/16"-24 FLOATING DUAL BEARING
 J = S/S FEMALE 5/16"-24 FLOATING DUAL BEARING

NOTATION
 C/S = GALVANIZED CARBON STEEL
 S/S = STAINLESS STEEL
 EL = ROLLER LENGTH
 ZP = ZINC PLATED

INTERROLL EC110 24VDC ROLLERDRIVE



INDUSTRIAL MAGZA MEX (55) 53 63 23 31 MTY (81) 83 54 10 18
 DIST. AUTORIZADO QRO (442) 1 95 72 60 ventas@industrialmagza.com

Product Features

- Wide speed range
- Multiple drive options
- Optional PVC or polyurethane sleeving
- Safe low voltage

Product benefits

- Total cost of ownership
- Low energy consumption
- Installation time
- Maintenance free
- Return on investment

Technical Data

General technical data

Diameter	1.9" or 2.5"
Nominal voltage	22-28 VDC
No load current	0.6 A
Max. continuous current	2.5 A
Max. start current	4.1 A
Mechanical performance	31 W
Drive efficiency	52%
Noise level	55 dB(A)
Minimum length	10.90"-15" (depending on application)

EC110 Roller Drive Performance

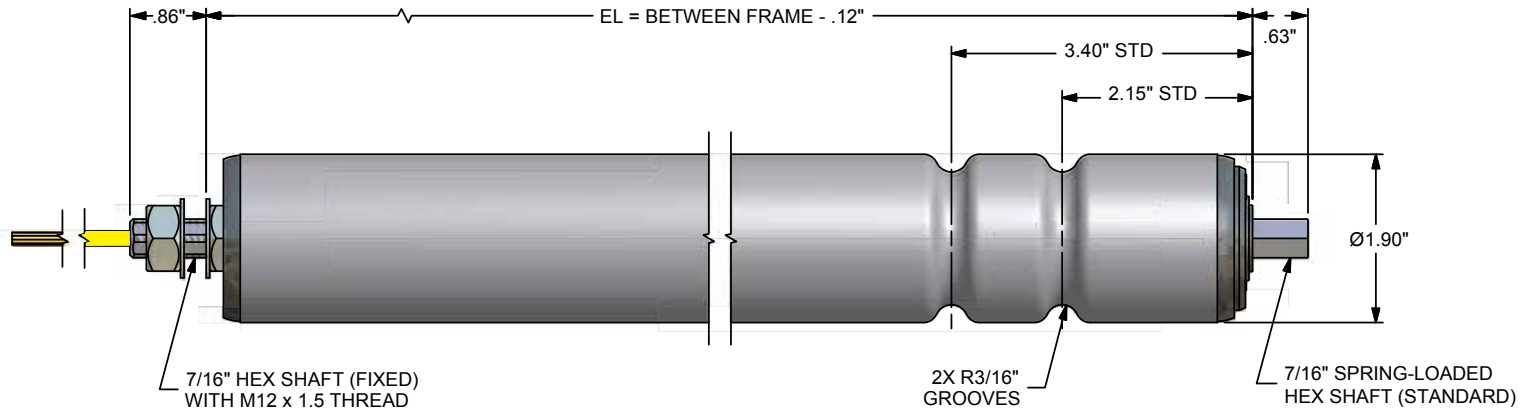
Gear Ratio	Speed Range Ft/min	Nominal Torque Inch-lb	Peak Torque Inch-lb
4:1	157-475	3.0	11.0
9:1	70-211	6.6	23.0
12:1	52-158	8.9	31.0
16:1	39-119	13.3	37.0
24:1	26-79	19.5	51.0
36:1	17-53	25.7	81.0
48:1	13-40	30.1	102.0
64:1	10-30	37.6	117.0

The Interroll RollerDrive EC110 is a high torque, high speed brushless 24VDC internally motorized drive roller.

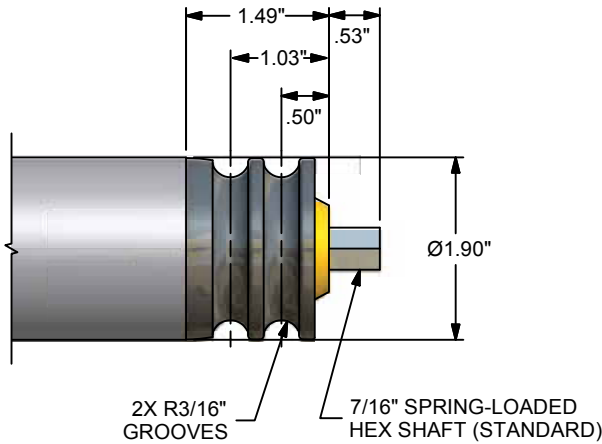


Dimensions

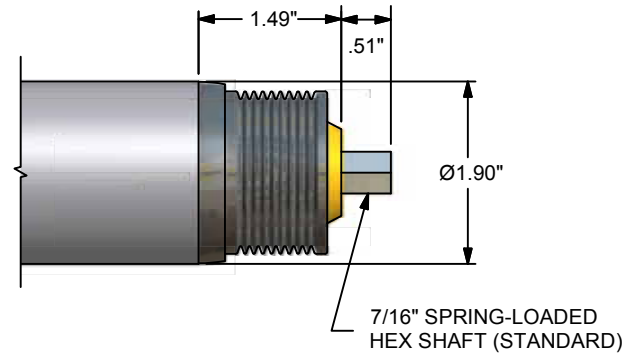
INDUSTRIAL MAGZA MEX (55) 53 63 23 31 MTY (81) 83 54 10 18
 DIST. AUTORIZADO QRO (442) 1 95 72 60 ventas@industrialmagza.com



Standard, grooves for O-Rings



Poly-O bearing housing



Poly-Vee bearing housing

How to order

Please create a reference number with the following configurator.

8 - [] - [] - [] - [] - H - 1 - [] - EL

MOTOR TYPE
 E = 24V EC110
 M = 24V EC110 SHORT RL

FIXED SHAFT
 1 = ZP THREADED SHAFT
 2 = S/S THREADED SHAFT
 5 = S/S NON-THREADED SHAFT
 6 = S/S NON-THREADED SHAFT
 7 = ZP THREADED SHAFT, 50mm CARTRIDGE
 8 = S/S THREADED SHAFT, 50mm CARTRIDGE
 9 = S/S NON-THREADED SHAFT, 50mm CARTRIDGE
 A = ZP THREADED H-SHAFT, 50mm CARTRIDGE
 B = ZP THREADED H-SHAFT
 C = S/S NON-THREADED SHAFT, SPECIAL LENGTH SHAFT & HIGH TEMP COUPLING
 D = C/S NON-THREADED SHAFT, DUAL BEARING
 E = ZP THREADED SHAFT, SPECIAL FOR USS
 F = ZP THREADED SHAFT, SPECIAL FOR USS
 H = S/S NON-THREADED SHAFT, HIGH TEMP

GEAR BOX/SPEED RANGE
 1 = 12:1 RATIO, 52 - 158 fpm
 2 = 16:1 RATIO, 39 - 119 fpm
 3 = 24:1 RATIO, 26 - 79 fpm
 4 = 36:1 RATIO, 17 - 53 fpm
 5 = 48:1 RATIO, 13 - 40 fpm
 6 = 64:1 RATIO, 10 - 30 fpm
 8 = 4:1 RATIO, 157 - 475 fpm
 9 = 9:1 RATIO, 70 - 211 fpm

AVAILABLE STANDARD TUBE GROUPS
TUBE TYPE
 STRAIGHT
 2 STANDARD GROOVES
 VARIABLE GROOVES
 PVC SLEEVING (STRAIGHT)
 PVC SLEEVING (2 STD GROOVES)
 PVC SLEEVING (VARIABLE GROOVES)
 POLYURETHANE SLEEVING (STRAIGHT)
 POLYURETHANE SLEEVING (2 STD GROOVES)
 POLYURETHANE SLEEVING (VARIABLE GROOVES)

C/S R207	S/S R301
R01	R04
P28	P35
R06	R61
E62	R15
P32	P37
P31	-
P44	E65
G74	F36
G75	-

IDLER SHAFT
 1 = C/S 7/16" HEX SPRING-LOADED
 2 = S/S 7/16" HEX SPRING-LOADED
 7 = C/S FEMALE 5/16"-18 FLOATING
 8 = S/S FEMALE 5/16"-18 FLOATING
 9 = C/S FEMALE M8 FLOATING
 A = C/S 7/16" HEX SPRING-LOADED POLY-VEE BEARING HOUSING
 B = S/S 7/16" HEX SPRING-LOADED POLY-VEE BEARING HOUSING
 C = C/S FEMALE M8 FLOATING POLY-VEE BEARING HOUSING
 D = S/S FEMALE M8 FLOATING POLY-VEE BEARING HOUSING
 E = C/S 7/16" HEX SPRING-LOADED POLY-O BEARING HOUSING
 F = S/S 7/16" HEX SPRING-LOADED POLY-O BEARING HOUSING
 G = C/S FEMALE M8 FLOATING POLY-O BEARING HOUSING
 H = S/S FEMALE M8 FLOATING POLY-O BEARING HOUSING
 I = C/S FEMALE 5/16"-24 FLOATING DUAL BEARING
 J = S/S FEMALE 5/16"-24 FLOATING DUAL BEARING

NOTATION
 C/S = GALVANIZED CARBON STEEL
 S/S = STAINLESS STEEL
 EL = ROLLER LENGTH
 ZP = ZINC PLATED

INTERROLL EC110/EC120 24VDC ROLLERDRIVE



INDUSTRIAL MAGZA MEX (55) 53 63 23 31 MTY (81) 83 54 10 18
 DIST. AUTORIZADO QRO (442) 1 95 72 60 ventas@industrialmagza.com

Product Features

- Heavy capacity for loads up to 2500 lb.
- Various sprocket options
- Safe low voltage

Product benefits

- Total cost of ownership
- Low energy consumption
- Installation time
- Maintenance free
- Return on investment

Technical Data

General technical data

Diameter	2.5"
Nominal voltage	22-28 VDC
No load current	0.6 A
Max. continuous current	2.5 A
Max. start current	5.1 A
Mechanical performance	34 W
Drive efficiency	52%
Noise level	55 dB(A)
Minimum RL	14"

2.5" RollerDrive Performance

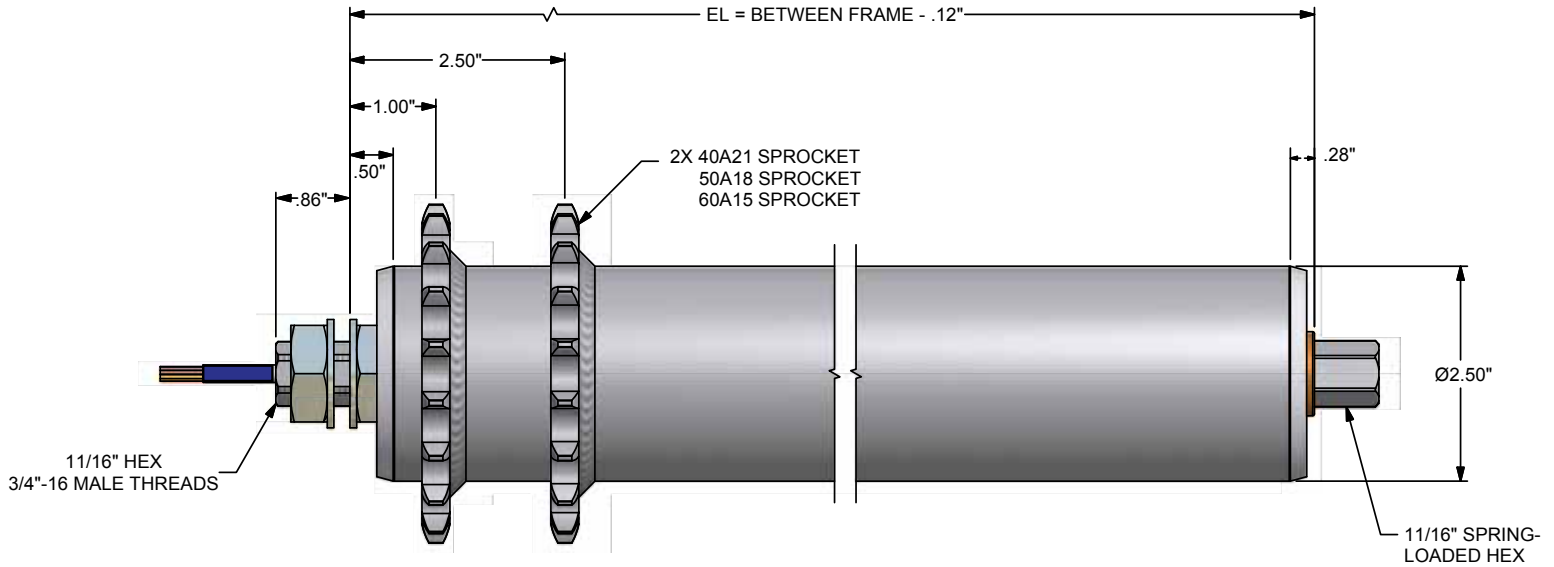
Gear Ratio	Speed Range Ft/min	Nominal Torque Inch-lb	Peak Torque Inch-lb
12:1 (EC110)	69-207	8.8	31.0
16:1 (EC110)	51-154	13.0	37.0
24:1 (EC110)	34-103	19.5	51.0
36:1 (EC110)	23-69	26.5	81.0
48:1 (EC110)	17-51	30.0	102.0
36:1 (EC120)	17-52	31.0	114.0
48:1 (EC120)	13-39	48.0	149.0
64:1 (EC120)	10-29	63.0	180.0
96:1 (EC120)	7-20	89.0	265.0

The Interroll 2.5" RollerDrive EC110 / EC120 is a high carrying capacity brushless 24VDC internally motorized drive roller for high torque, low speed applications.



Dimensions

INDUSTRIAL MAGZA MEX (55) 53 63 23 31 MTY (81) 83 54 10 18
 DIST. AUTORIZADO QRO (442) 1 95 72 60 ventas@industrialmagza.com



How to order

Please create a reference number with the following configurator.

8 - [] - [] - [] - [] - A - 1 - [] - EL

MOTOR TYPE
 F = 24V EC110
 G = 24V EC120

FIXED SHAFT
 1 = C/S THREADED SHAFT, .083" WALL
 2 = C/S THREADED SHAFT, .120" WALL

GEAR BOX/SPEED RANGE

EC110
 1 = 12:1 RATIO, 69 - 207 fpm
 2 = 16:1 RATIO, 51 - 154 fpm
 3 = 24:1 RATIO, 34 - 103 fpm
 4 = 36:1 RATIO, 23 - 69 fpm
 5 = 48:1 RATIO, 17 - 51 fpm

EC120
 4 = 36:1 RATIO, 17 - 52 fpm
 5 = 48:1 RATIO, 13 - 39 fpm
 6 = 64:1 RATIO, 10 - 29 fpm
 7 = 96:1 RATIO, 7 - 20 fpm

AVAILABLE STANDARD TUBE GROUPS

TUBE TYPE	C/S, GALV.	C/S, MILL	C/S, ZINC
STRAIGHT	G60	-	-
STRAIGHT, POLYURETHANE SLEEVING	G71	-	-
(2) #40-21 TOOTH SPROCKETS ON MOTOR END	-	C20	L20
(2) #40-21 TOOTH SPROCKETS ON IDLER END	-	C21	L21
(2) #50-18 TOOTH SPROCKETS ON MOTOR END	-	C22	L22
(2) #50-18 TOOTH SPROCKETS ON IDLER END	-	C23	L23
(2) #60-15 TOOTH SPROCKETS ON MOTOR END	-	C24	L24
(2) #60-15 TOOTH SPROCKETS ON IDLER END	-	C25	L25
STRAIGHT, .120" WALL	G55	C50	-

IDLER SHAFT
 1 = C/S 11/16" HEX SPRING-LOADED .083 WALL
 2 = C/S 11/16" HEX SPRING-LOADED .120 WALL

NOTATION
 C/S = CARBON STEEL
 EL = ROLLER LENGTH

INTERROLL DRIVECONTROL CARD

INDUSTRIAL MAGZA MEX (55) 53 63 23 31 MTY (81) 83 54 10 18
 DIST. AUTORIZADO QRO (442) 1 95 72 60 ventas@industrialmagza.com



Product Features

- One card controls EC100, EC110 and EC120 RollerDrives
- Standalone ZPA control, operates in both standard and enhanced singulation
- On board adjustable speed, acceleration and deceleration
- Interfacing I/O provided for controlling speed, starting, stopping, sensor monitoring and operational status
- Drop-in replacement for Interroll P/N 8996A, 8916, 8916A, 9000 and 9004 DriveControls

Product benefits

- Constant speed up to nominal load
- Eliminates the need for external controls in most cases
- Saves costs via rapid installation and easy configuration

Technical Data

General technical data

Rated voltage	24V DC
Voltage range	22-26 VDC
Permissible voltage undulation	<5%
	Recommended <1%
Max. continuous current	EC100: 1.8A EC110: 2.4A EC120: 2.5A
Max. start-up current	EC100: 4.1A EC110: 4.1A EC120: 5.1A
Fuse	5A Slow Blow

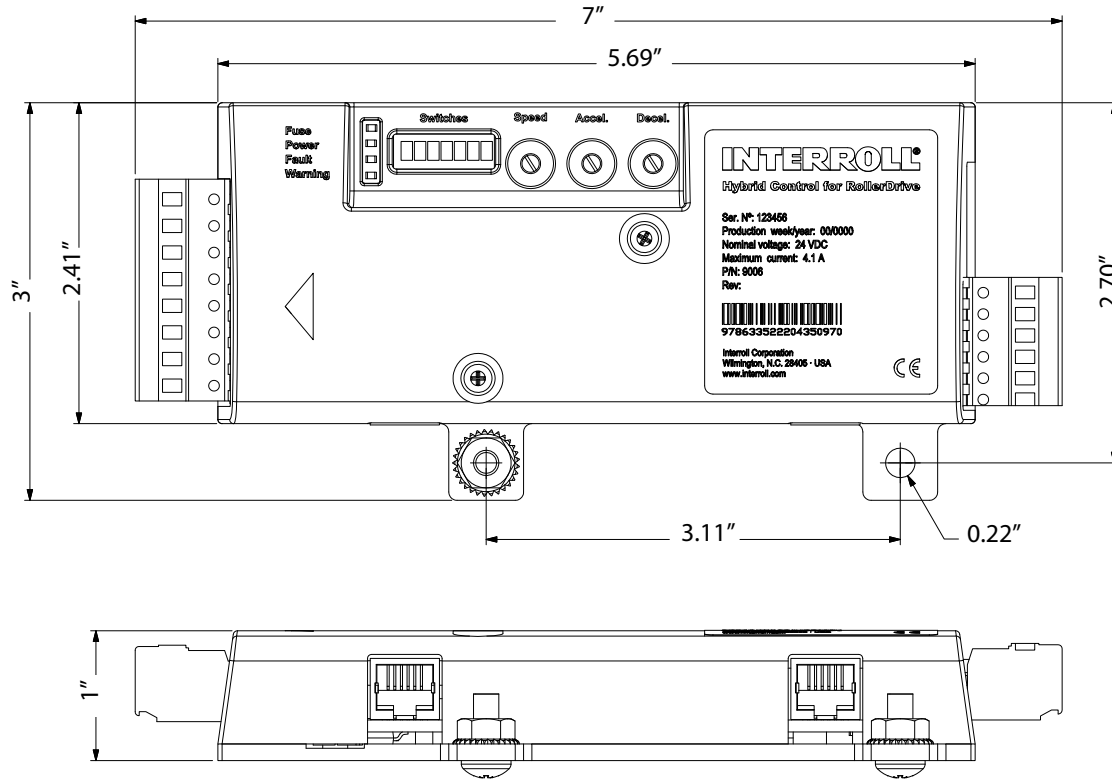
Ambient Conditions

Ambient temperature in operation	32°-104°F
Ambient temperature during transport & storage	-4°-167°F
Max. air humidity	90% non-condensing

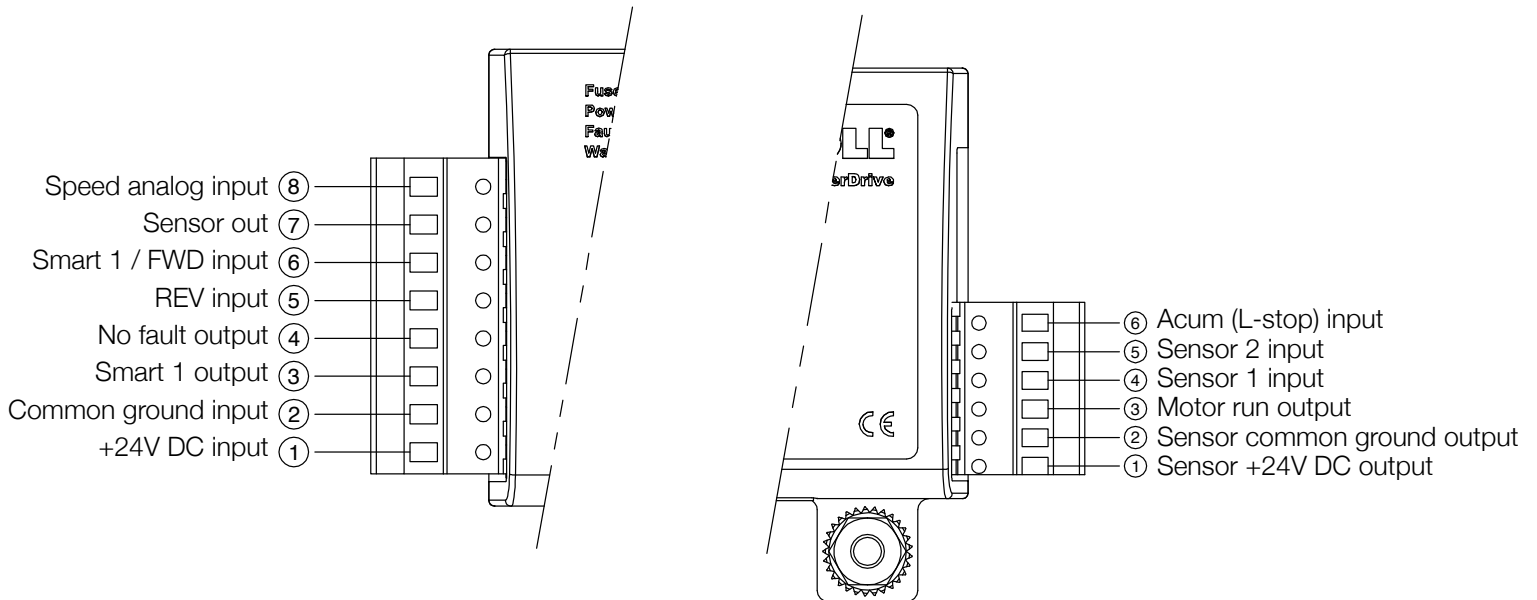


Dimensions

INDUSTRIAL MAGZA MEX (55) 53 63 23 31 MTY (81) 83 54 10 18
 DIST. AUTORIZADO QRO (442) 1 95 72 60 ventas@industrialmagza.com



DriveControl configuration

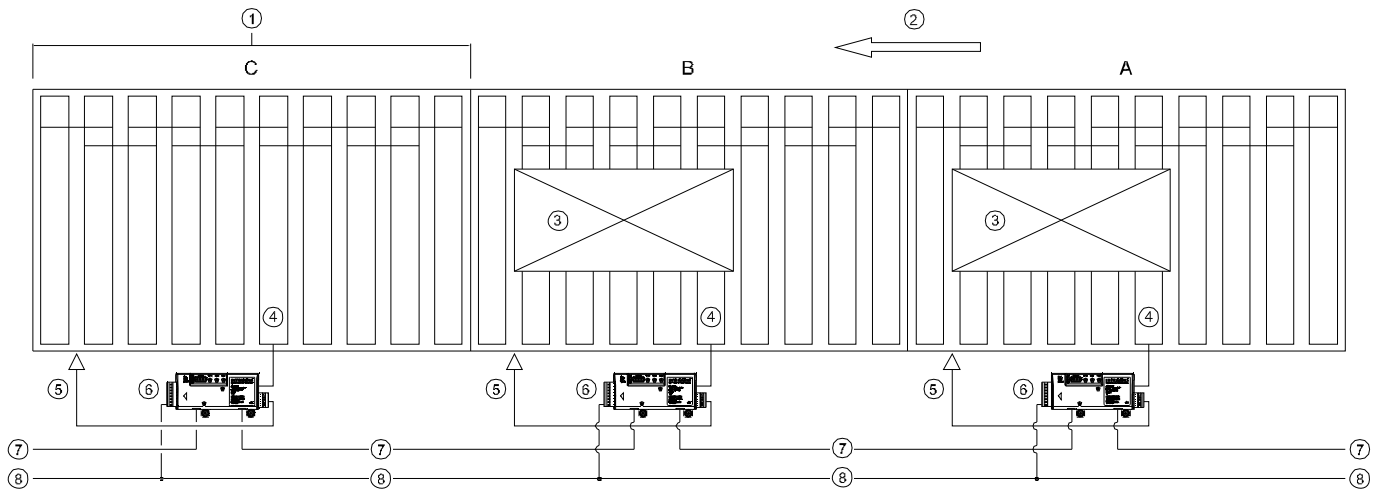


ZPA Technology

The DriveControl module provides zero pressure accumulation and other functionality to a conveyor system. Each DriveControl card operates a RollerDrive unit, which in turn drives idler rollers using O-rings, Poly-Vee serpentine belts, chain and sprockets or a full width conveying belt. The DriveControl, RollerDrive, and idler rollers with associated sensors and switches are assembled into a short conveyor section known as a zone.

Zero pressure accumulation occurs as zones hold packages until the next downstream zone clears its sensor. When accumulation occurs, a low signal is passed upstream until each consecutive zone is occupied. Packages never touch each other, and no line pressure occurs.

Principle of zones



Typical ZPA conveyor configuration

- | | |
|-----------------------|------------------------------------|
| ① Zone | ⑤ Photoeye |
| ② Direction of travel | ⑥ DriveControl Card |
| ③ Load | ⑦ Peer-to-peer communication cable |
| ④ RollerDrive | ⑧ +24V DC/GND |

Other application

Interroll RollerDrives and DriveControl cards may be used in a variety of applications. While possible applications are almost limitless, some include:

- 90° transfers
- CDLR conveyor
- Machinery
- Packaging equipment

ROLLERDRIVE OPTIONS AND ACCESSOR



INDUSTRIAL MAGZA MEX (55) 53 63 23 31 MTY (81) 83 54 10 18
 DIST. AUTORIZADO QRO (442) 1 95 72 60 ventas@industrialmagza.com

Roller Sleeves

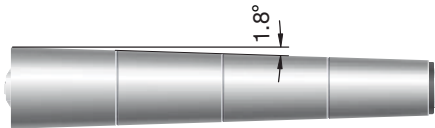
RollerDrives and idler roller tubes can be fitted with PVC or Polyurethane sleeves.

	PVC Sleeve	Polyurethane Sleeve
Color	Gray	Orange
Wall thickness (in)	0.08"	.125"
Outer diameter on Roller (in)	2.06"	2.15"
Hardness	63 shore	80 shore

Sleeves increase the RollerDrive's surface friction, allowing them to be used in incline or decline applications. Sleeves also reduce noise and provide a softer surface to help protect sensitive goods while being conveyed.

Curve Sleeves

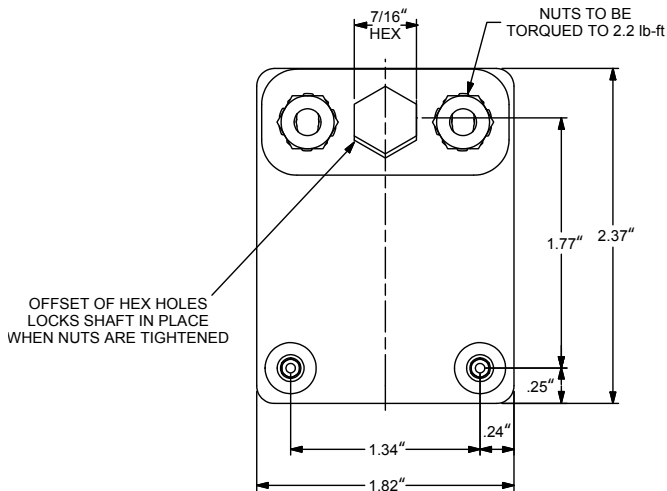
Interroll tapered rollers are constructed by pressing tapered sleeves onto an ordinary RollerDrive or idler roller. Mounting holes must be located lower in the outer radius frame to compensate for the 1.8° pitch of the sleeves.



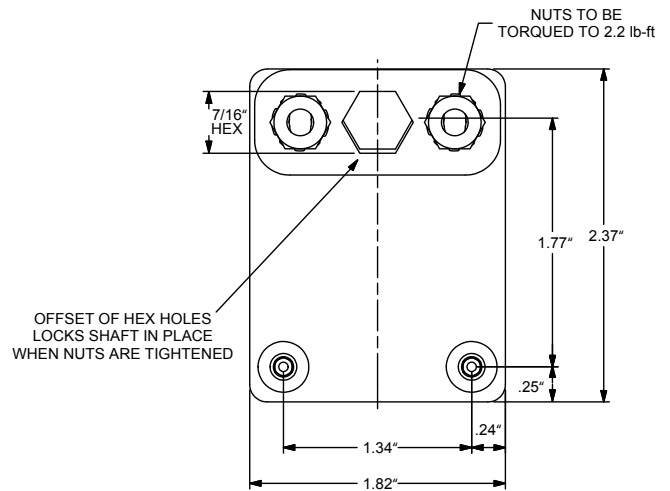
Anti-spin bracket

When you use a non-threaded hex shaft an anti-spin bracket is necessary. This prevents the RollerDrive from rotating in the conveyor frame. Anti-spin brackets are available in point up and flat up versions.

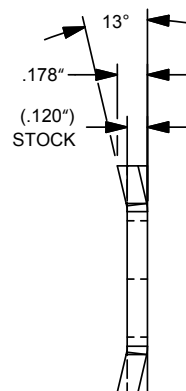
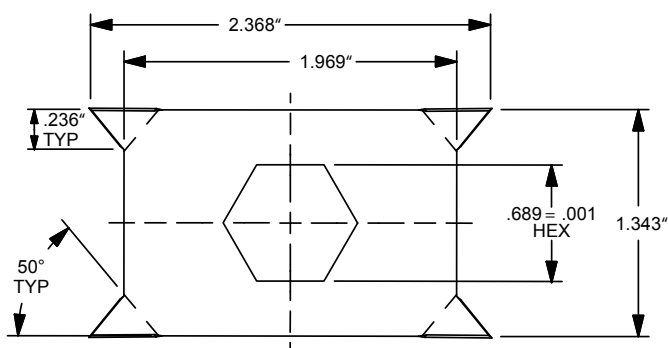
EC100/EC110 point up version dimensions



EC100/EC110 flat up version dimensions



EC120 flat up versions dimensions



The EC120 anti-spin bracket is available flat or points up.



INSPIRED BY
EFFICIENCY



INDUSTRIAL **MAGZA**
DIST. AUTORIZADO

MEX (55) 53 63 23 31

QRO (442) 1 95 72 60

MTY (81) 83 54 10 18

ventas@industrialmagza.com

Interroll is the most global provider of core products for material handling solutions. Headquartered in Sant'Antonino Switzerland, Interroll is present in more than 30 countries.

Additional sales contacts and addresses are available by visiting www.interroll.com

USA Manufacturing Center

Interroll Corporation
3000 Corporate Drive
Wilmington, NC 28405
Telephone: 910-799-1100
us.sales@interroll.com

Interroll reserves the right to modify the technical characteristics of all its products at any time.

Technical information, dimensions, data and characteristics are provided for reference only.

All products designed and manufactured in the United States of America.